

800-4209 25W
 Soffit Light Fixture,
 White

Length: 12 inch
 Width: 12 inch
 Height: 2.73 inch

WARNING:
 Before proceeding, read all instructions carefully to ensure proper and safe installation.

WARNING:
 Risk of fire or electrical shock.

WARNING:
 Disconnect power before installing or servicing.

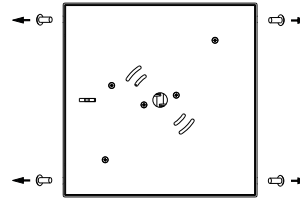
WARNING:
 All wiring to be performed per National Electrical Code and local code by a qualified electrician.

STEP 1

Unpack fixture from packaging. Fixture consists of the power supply(s) mounted on the back plate inside of the fixture. Surge protector mounted on the mounting bracket (optional).

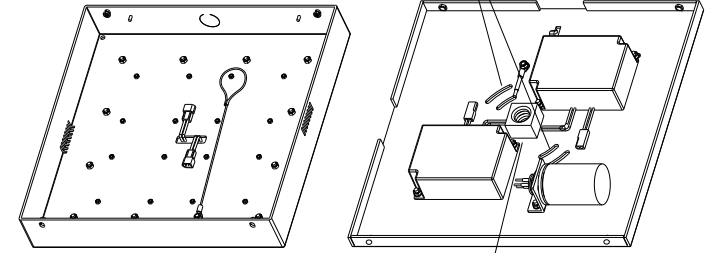
STEP 2

Remove rear cover plate screws.



STEP 3

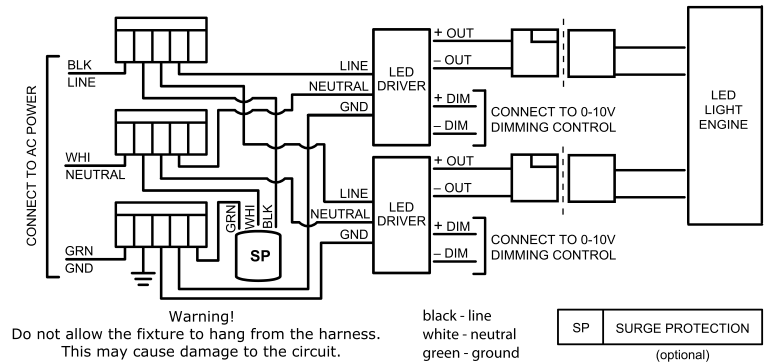
Mount back plate to surface using the provided slots. Use temporary hanging cable and hook for ease of installation.



Electrical wire opening and pendant mount hole.

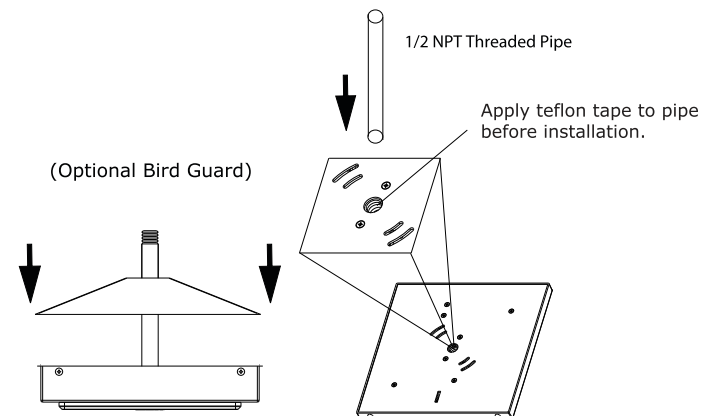
STEP 4

Connect the incoming electrical wires to the set of power wires on the LED power supply(s). Next connect the LED driver harness(s) to the LED light engine(s) on main housing. The surge suppressor is an optional accessory that can be used in the system.



STEP 5

Pendant Mount Installation:
 Feed the electrical wire coming out of the fixture through the conduit pipe as shown below. Connect wires to the appropriate wires at electrical junction box as shown in electrical diagram. Mount to junction box using the proper mounting plates.



STEP 6

Mount the bottom housing to the cover plate using the 4 screws.

